

Fact Sheet

UniSort PR EVO 5.0[®]



+ METAL SORTING

- + Separates NIR-identifiable plastics, textiles and wood from shredder light fraction (SLF)
- + Sorts printed circuit board assemblies (PCBA) from e-scrap (WEEE)

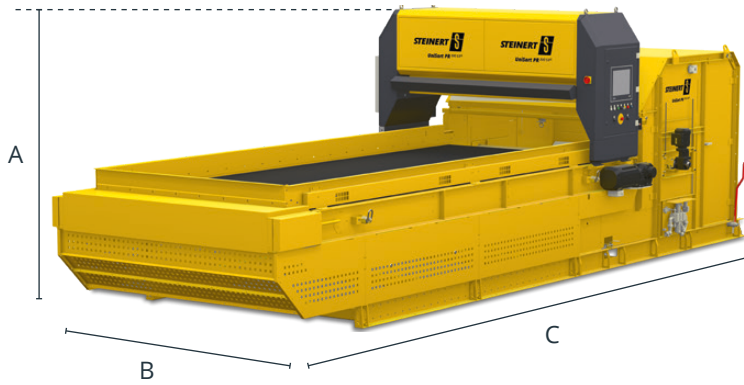
+ WASTE SORTING

- + Identifies and sorts plastics and materials by type, e.g. PE, PP, PS, PET, PVC, beverage cartons, paper, cardboard, paperboard and textiles
- + Identifies and distinguishes between special waste items such as
 - PET bottles and PET trays
 - Silicone cartridges and much more
- + Detects and sorts all common plastics and materials in applications such as
 - Light packaging and plastic sorting
 - Household waste processing
 - Commercial and industrial waste processing
 - Substitute fuel production
 - Foil processing
 - Paper and cardboard sorting and much more

THE RESOURCE
SEARCH ENGINE

CURIOSUS?
Learn more.

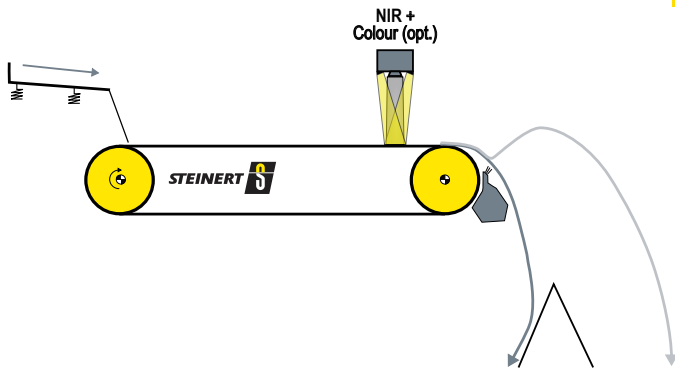




+ TECHNOLOGY

UniSort PR EVO 5.0®

Based on the latest near infrared (NIR) camera technology – hyperspectral imaging (HSI) technology – the advantages lie in the combination of highest local and spectral resolution. The sorting system is also available in combination with a high-resolution colour camera to map further optically detectable characteristic properties. Artificial intelligence (AI) supports object recognition.



UniSort PR EVO 5.0®		UniSort P1000R	UniSort P1400R	UniSort P2000R	UniSort P2800R
General					
Working width (mm)		1,000	1,400	2,000	2,800
Dimensions approx. (mm)	A	2,350	2,350	2,350	2,350
	B	1,800	2,220	2,790	3,704
	C	7,630	7,630	7,630	7,685
Weight incl. nozzle bar (kg)		1,950	2,650	3,200	4,550
Environmental specifications					
Permitted ambient temp. depending on version (°C)		-5 to +45			
Installation site		Under roof/indoor			
Conformities					
Given conformities		EN (UL-CSA)			
Electrical specifications					
Machine power consumption (kVA)		5.5	7	8	11
Machine protection class		IP 54 (not certified)			
Pneumatic specifications					
Compressed air quality		ISO 8573-1: class 3.4.4			
Operating pressure (bar)		5–7			
Pneumatic connection (inch)		1			
Options + variants					
Example accessories		Highly selective colour recognition unit, feeder, disk spreader, safety switches			

Technical alterations reserved. For more details see the operating instruction of the sorting system.