

Fact Sheet

STEINERT KSS® | CLI



+ METAL SORTING

- + Separates coloured metal concentrates in copper, brass and grey metals
- + Produces circuit board or stainless steel concentrates
- + Separates cable concentrates (ICW)
- + Positive or negative sorting of residual metals

+ WASTE SORTING

- + Construction waste processing, sorting of concrete and brick rubble

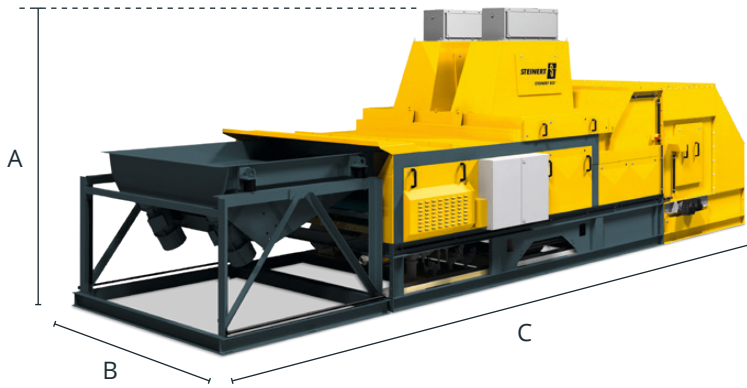
+ MINING

- + Separates various industrial minerals
- + Creates pre-concentrated critical mineral streams (Li-Pegmatites)
- + Suited for complex polymetallic ore separation
- + Performs several sorting operations in a single step (XRT + laser for sulphides & quartz)

THE RESOURCE
SEARCH ENGINE

CURIOSUS?
Learn more.



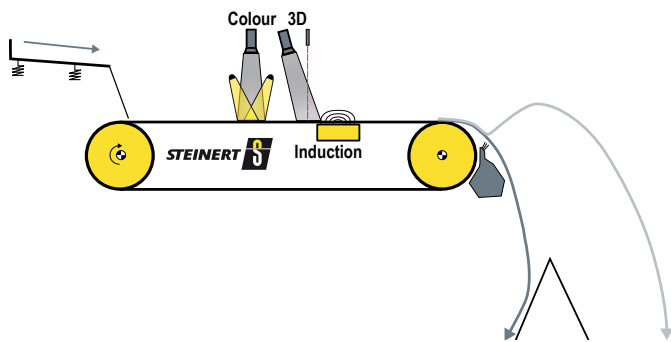


+ TECHNOLOGY

STEINERT KSS® | CLI combines:

- + Colour **C**
- + Laser (3D detection) **L**
- + Induction sensor **I**

The combination of a colour line scan camera, 3D and metal detection enables the flexible solution of complex sorting tasks. In the detection area, colour and 3D information as well as the metal signal from the inductive sensor are recorded and combined in the further data processing. By combining the sensory information, many secondary characteristics of the sorted material can be used to differentiate between various material classes.



STEINERT KSS® CLI		KSS 100 CLI	KSS 200 CLI	KSS 300 CLI
General				
Working width (mm)		1,000	2,000	3,000
Dimensions approx. (mm)	A	3,270	3,270	3,690
	B	1,930	2,930	4,090
	C	10,000	10,000	10,000
Weight approx. ZOR + KSS + ALx (kg)		5,280	7,610	12,680
Environmental specifications				
Permitted ambient temp. depending on version (°C)		-5 to +40		
Installation site		Under Roof/indoor		
Conformities				
Given conformities		CE + UL		
Electrical specifications				
Machine power consumption (kVA)		23.9	28.6	37.1
Machine protection class		IP55		
Pneumatic specifications				
Compressed air quality		ISO 8573-1: class 3.4.3		
Operating pressure (bar)		8/10		
Pneumatic connection (inch)		2		
Options + variants				
Example accessories		Belt drift detection, rotation monitoring, belt scraper, preparation for dust extraction		
Control				
Dimensions approx. (mm)	Height	2,100		
	Width	1,600		
	Depth	600		
Weight (kg)		350		
Distance control to machine (m)		10		
Electrical full load (A)		34.5	41.3	53.6

Technical alterations reserved. For more details see the operating instruction of the sorting system.